



Featuring
New Industry Standard
R-410A Refrigerant

R-410A



15 SEER HEAT PUMPS

Features

- 35" Maximum Unit Height.
- Coils constructed with copper tubing and enhanced aluminum fins.
- Strong, attractive cabinet—louvered design protects the coil from damage.
- Expansion Valves with Internal Check Valve—Provides for quieter refrigerant metering.
- Enhanced Demand Defrost Control
- Factory Installed Low Pressure Control
- Non-Cycling Reversing Valve
- Hot Gas Muffler
- Service Valves
- Grille/motor mount for quiet fan operation.
- Easily accessible control box.
- Bi-Directional Filter Drier (Field Installed)
- Certified and rated under A.R.I. Standard 240.
- U.L listed.
- Optional High Pressure Control (Field Installed)
- Heat Pump Thermostat Warning Light Kit

Accessories/Options

- Low Ambient Control (Model No. RXAD-A08)
- Outdoor Thermostats (Model No. RXPT-A01, A02, A03 or A04)
- Heat Pump Monitor (Model No. RXPM-B01)
- Thermostats and Subbases
(Available through the PROSTOCK® department)
- Compressor Time Delay Control (Model No. RXMD-B01)
- Blower Time Delay Control (Model No. RXMD-C04)
RXMD-C04 is not required if the outdoor unit is matched with a Rheem Value Series furnace or air handler, or if the furnace or air handler used has a blower off time delay built-in.
- Sound Enclosure*
- Start Components*

*Available through the PROSTOCK® department.

Applications

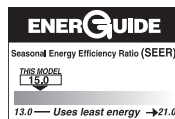
Rheem Value Series remote heat pumps offer comfort and dependability for single, multi-family and light commercial applications.



15PJL SERIES



"Visit www.Rheem.com
for complete details."



Model Identification Number

15	P	J	L	18	A	01
15 SEER	P = HEAT PUMP	VOLTAGE J = 208-230 SINGLE PHASE	L = 1ST DESIGN (R-410A)	NOMINAL COOLING CAPACITY 18 = 18,000 BTU/HR [5.28 kW] 24 = 24,000 BTU/HR [7.03 kW] 30 = 30,000 BTU/HR [8.79 kW] 36 = 36,000 BTU/HR [10.55 kW] 42 = 42,000 BTU/HR [12.31 kW] 48 = 48,000 BTU/HR [14.07 kW] 60 = 60,000 BTU/HR [17.58 kW]	CABINET A = FULL METAL JACKET	RHEEM VALUE SERIES

Performance Data ARI Standard Conditions

Note: Only these combinations of indoor/outdoor units are approved and any other combinations should not be used.

Model Numbers		ARI Cooling Performance							ARI Htg. Performance (70°F 21.0°C) Indoor				
		80°F [26.5°C] DB/67°F [19.5°C] WB Indoor Air 95°F [35.0°C] DB Outdoor Air							Outdoor Air 47°F DB/43°F WB [8.5°C/6.0°C] DOE High Temp.		Outdoor Air 17°F DB/15°F WB [-8.5°C/-9.5°C] DOE Low Temp.		DOE Region IV HSPF
Outdoor Unit 15PJL	Indoor Coil and/or Air Handler	Total Capacity BTU/H [kW]	Net Sens. BTU/H [kW]	Net Latent BTU/H [kW]	EER	SEER	Snd. Rate dB	Indoor CFM [L/s]	BTU/H [kW]	COP	BTU/H [kW]	COP	
Rev. 2/3/10	RHLL-HM2417 (RCSL-H*2417) ①	18,500 [5.4]	13,400 [3.9]	5,100 [1.5]	12.50	15.00	76	600 [283]	17,700 [5.2]	3.68	10,800 [3.2]	2.38	8.50
	RHBL-FR24T	19,600 [5.7]	14,900 [4.4]	4,700 [1.4]	12.50	15.00	76	600 [283]	16,500 [4.8]	3.48	9,500 [2.8]	2.04	8.20
	RCFL-H*2414	18,200 [5.3]	13,100 [3.8]	5,100 [1.5]	11.50	13.50	76	600 [283]	18,200 [5.3]	3.42	11,300 [3.3]	2.24	7.70
	RCFL-H*2417	18,200 [5.3]	13,100 [3.8]	5,100 [1.5]	11.00	13.50	76	600 [283]	18,200 [5.3]	3.42	11,300 [3.3]	2.24	7.70
	RCFL-H*2417 (RGFD-06?MCK?)	18,400 [5.4]	13,350 [3.9]	5,050 [1.5]	12.50	15.00	76	600 [283]	17,800 [5.2]	3.64	10,900 [3.2]	2.36	8.20
	RCFL-H*2417 (RGFD-07?MCK?)	18,400 [5.4]	13,350 [3.9]	5,050 [1.5]	12.50	15.00	76	600 [283]	17,800 [5.2]	3.64	10,900 [3.2]	2.36	8.20
	RCFL-H*2417 (RGFE-06?MCK?)	18,500 [5.4]	13,400 [3.9]	5,100 [1.5]	12.50	15.00	76	575 [271]	17,700 [5.2]	3.68	10,800 [3.2]	2.38	8.20
	RCFL-H*2417 (RGFE-07?MCK?)	18,400 [5.4]	13,300 [3.9]	5,100 [1.5]	12.50	15.00	76	600 [283]	17,700 [5.2]	3.68	10,800 [3.2]	2.38	8.20
	RCFL-H*2417 (RGGD-06?MCK?)	18,500 [5.4]	13,400 [3.9]	5,100 [1.5]	12.50	15.00	76	600 [283]	17,700 [5.2]	3.68	10,800 [3.2]	2.38	8.20
	RCFL-H*2417 (RGGD-07?MCK?)	18,400 [5.4]	13,300 [3.9]	5,100 [1.5]	12.50	15.00	76	625 [295]	17,700 [5.2]	3.66	10,800 [3.2]	2.36	8.20
18	RCFL-H*2417 (RGGE-06?MCK?)	18,400 [5.4]	13,300 [3.9]	5,100 [1.5]	12.50	15.00	76	600 [283]	17,700 [5.2]	3.66	10,800 [3.2]	2.38	8.20
	RCFL-H*2417 (RGGE-07?MCK?)	18,500 [5.4]	13,400 [3.9]	5,100 [1.5]	12.50	15.00	76	575 [271]	17,700 [5.2]	3.68	10,800 [3.2]	2.38	8.20
	RCFL-H*2417 (RGJD-06?MCK?)	18,500 [5.4]	13,400 [3.9]	5,100 [1.5]	12.50	15.00	76	600 [283]	17,700 [5.2]	3.68	10,800 [3.2]	2.38	8.20
	RCFL-H*2417 (RGJD-07?MCK?)	18,400 [5.4]	13,300 [3.9]	5,100 [1.5]	12.50	15.00	76	625 [295]	17,700 [5.2]	3.66	10,800 [3.2]	2.36	8.20
	RCFL-H*2417 (RGJF-06?MCK?)	18,500 [5.4]	13,400 [3.9]	5,100 [1.5]	12.50	15.00	76	625 [295]	17,700 [5.2]	3.68	10,800 [3.2]	2.38	8.20
	RCFL-H*2417 (RGJF-07?MCK?)	18,500 [5.4]	13,400 [3.9]	5,100 [1.5]	12.50	15.00	76	575 [271]	17,700 [5.2]	3.68	10,800 [3.2]	2.38	8.20
	RCFL-H*2417 (RGLE-07?AMK?)	18,500 [5.4]	13,400 [3.9]	5,100 [1.5]	12.50	15.00	76	600 [283]	17,700 [5.2]	3.70	10,800 [3.2]	2.38	8.20
	RCFL-H*2417 (RGLR-07?AMK?)	18,500 [5.4]	13,400 [3.9]	5,100 [1.5]	12.50	15.00	76	600 [283]	17,700 [5.2]	3.68	10,800 [3.2]	2.38	8.20
	RCFL-H*2417 (RGPE-05?BMK?)	18,500 [5.4]	13,400 [3.9]	5,100 [1.5]	12.50	15.00	76	575 [271]	17,700 [5.2]	3.68	10,800 [3.2]	2.38	8.20
	RCFL-H*2417 (RGPE-07?AMK?)	18,500 [5.4]	13,400 [3.9]	5,100 [1.5]	12.50	15.00	76	625 [295]	17,700 [5.2]	3.68	10,800 [3.2]	2.38	8.20
RCFL-H*2417 (RGPL-05?BMK?)	18,400 [5.4]	13,350 [3.9]	5,050 [1.5]	12.50	15.00	76	600 [283]	17,800 [5.2]	3.64	10,900 [3.2]	2.36	8.20	
RCFL-H*2417 (RGPR-05?BMK?)	18,400 [5.4]	13,350 [3.9]	5,050 [1.5]	12.50	15.00	76	600 [283]	17,800 [5.2]	3.64	10,900 [3.2]	2.36	8.20	

① Highest sales volume tested combination required by D.O.E. test procedures.

[] Designates Metric Conversions

Performance Data ARI Standard Conditions (cont.)

Note: Only these combinations of indoor/outdoor units are approved and any other combinations should not be used.

Model Numbers		ARI Cooling Performance							ARI Htg. Performance (70°F 21.0°C) Indoor				
		80°F [26.5°C] DB/67°F [19.5°C] WB Indoor Air 95°F [35.0°C] DB Outdoor Air							Outdoor Air 47°F DB/43°F WB [8.5°C/6.0°C] DOE High Temp.		Outdoor Air 17°F DB/15°F WB [-8.5°C/-9.5°C] DOE Low Temp.		DOE Region IV HSPF
Outdoor Unit 15PJL	Indoor Coil and/or Air Handler	Total Capacity BTU/H [kW]	Net Sens. BTU/H [kW]	Net Latent BTU/H [kW]	EER	SEER	Snd. Rate dB	Indoor CFM [L/s]	BTU/H [kW]	COP	BTU/H [kW]	COP	
Rev. 2/3/10	RCFL-H*2417 (RGPR-07?AMK?)	18,500 [5.4]	13,400 [3.9]	5,100 [1.5]	12.50	15.00	76	600 [283]	17,700 [5.2]	3.68	10,800 [3.2]	2.38	8.20
	RCFL-H*2417 (RGRM-04?MAE?)	18,400 [5.4]	13,350 [3.9]	5,050 [1.5]	12.50	15.00	76	575 [271]	17,800 [5.2]	3.66	10,900 [3.2]	2.36	8.20
	RCFL-H*2417 (RGRM-06?MAE?)	18,400 [5.4]	13,300 [3.9]	5,100 [1.5]	12.50	15.00	76	600 [283]	17,700 [5.2]	3.66	10,800 [3.2]	2.36	8.20
	RCFL-H*2417 (RGRM-07?MAE?)	18,300 [5.4]	13,250 [3.9]	5,050 [1.5]	12.50	15.00	76	625 [295]	17,800 [5.2]	3.62	10,900 [3.2]	2.34	8.20
	RCFL-H*2417 (RGTm-06?MAE?)	18,500 [5.4]	13,400 [3.9]	5,100 [1.5]	12.50	15.00	76	575 [271]	17,700 [5.2]	3.70	10,800 [3.2]	2.38	8.20
	RHKL-HM2417 (RCSL-H*2417)	18,700 [5.5]	13,700 [4.0]	5,000 [1.5]	12.50	15.00	76	650 [307]	17,700 [5.2]	3.66	10,800 [3.2]	2.36	8.20
	RHSL-HM1817 (RCSL-H*2417)	18,100 [5.3]	13,100 [3.8]	5,000 [1.5]	11.50	14.00	76	600 [283]	18,100 [5.3]	3.48	11,200 [3.3]	2.26	8.00
24	RHLL-HM2417 (RCSL-H*2417) ①	23,600 [6.9]	16,800 [4.9]	6,800 [2.0]	12.50	15.00	74	775 [366]	21,600 [6.3]	3.58	12,400 [3.6]	2.22	8.50
	RHBL-FR24T	25,000 [7.3]	19,350 [5.7]	5,650 [1.7]	12.50	15.00	74	850 [401]	21,400 [6.3]	3.56	12,300 [3.6]	2.14	8.20
	RCFL-A*2414	23,200 [6.8]	16,400 [4.8]	6,800 [2.0]	11.00	13.50	74	775 [366]	22,200 [6.5]	3.34	13,000 [3.8]	2.06	7.70
	RCFL-H*2417	23,200 [6.8]	16,400 [4.8]	6,800 [2.0]	11.00	13.50	74	775 [366]	22,200 [6.5]	3.34	13,000 [3.8]	2.06	7.70
	RCFL-H*2417 (RGFD-06?MCK?)	23,200 [6.8]	16,500 [4.8]	6,700 [2.0]	11.50	14.00	74	800 [378]	21,800 [6.4]	3.46	12,600 [3.7]	2.12	8.20
	RCFL-H*2417 (RGFD-07?MCK?)	23,200 [6.8]	16,500 [4.8]	6,700 [2.0]	11.50	14.00	74	800 [378]	21,800 [6.4]	3.48	12,600 [3.7]	2.12	8.20
	RCFL-H*2417 (RGFE-06?MCK?)	23,400 [6.9]	16,650 [4.9]	6,750 [2.0]	12.00	14.50	74	800 [378]	21,800 [6.4]	3.50	12,500 [3.7]	2.14	8.20
	RCFL-H*2417 (RGFE-07?MCK?)	23,600 [6.9]	17,000 [5.0]	6,600 [1.9]	12.00	14.50	74	825 [389]	21,800 [6.4]	3.50	12,500 [3.7]	2.14	8.20
	RCFL-H*2417 (RGGD-06?MCK?)	23,400 [6.9]	16,650 [4.9]	6,750 [2.0]	12.00	14.50	74	800 [378]	21,800 [6.4]	3.52	12,500 [3.7]	2.14	8.20
	RCFL-H*2417 (RGGE-06?MCK?)	23,600 [6.9]	16,950 [5.0]	6,650 [1.9]	12.50	15.00	74	825 [389]	21,600 [6.3]	3.54	12,400 [3.6]	2.16	8.20
	RCFL-H*2417 (RGGE-07?MCK?)	23,400 [6.9]	16,650 [4.9]	6,750 [2.0]	12.50	15.00	74	750 [354]	21,600 [6.3]	3.54	12,400 [3.6]	2.16	8.20
	RCFL-H*2417 (RGJD-06?MCK?)	23,400 [6.9]	16,650 [4.9]	6,750 [2.0]	12.00	14.50	74	800 [378]	21,800 [6.4]	3.52	12,500 [3.7]	2.14	8.20
	RCFL-H*2417 (RGJD-07?MCK?)	23,400 [6.9]	16,700 [4.9]	6,700 [2.0]	12.00	14.50	74	800 [378]	21,800 [6.4]	3.50	12,600 [3.7]	2.14	8.20
	RCFL-H*2417 (RGJF-06?MCK?)	23,600 [6.9]	16,950 [5.0]	6,650 [1.9]	12.50	15.00	74	825 [389]	21,600 [6.3]	3.54	12,400 [3.6]	2.16	8.20
	RCFL-H*2417 (RGJF-07?MCK?)	23,400 [6.9]	16,650 [4.9]	6,750 [2.0]	12.50	15.00	74	750 [354]	21,600 [6.3]	3.54	12,400 [3.6]	2.16	8.20
	RCFL-H*2417 (RGLE-07?AMK?)	23,600 [6.9]	16,850 [4.9]	6,750 [2.0]	12.50	15.00	74	750 [354]	21,600 [6.3]	3.56	12,400 [3.6]	2.16	8.50
	RCFL-H*2417 (RGLR-07?AMK?)	23,400 [6.9]	16,650 [4.9]	6,750 [2.0]	12.00	14.50	74	800 [378]	21,600 [6.3]	3.54	12,400 [3.6]	2.16	8.20
	RCFL-H*2417 (RGPE-05?BMK?)	23,400 [6.9]	16,650 [4.9]	6,750 [2.0]	12.50	15.00	74	750 [354]	21,600 [6.3]	3.54	12,400 [3.6]	2.16	8.20
	RCFL-H*2417 (RGPE-07?AMK?)	23,600 [6.9]	17,000 [5.0]	6,600 [1.9]	12.50	15.00	74	825 [389]	21,600 [6.3]	3.54	12,500 [3.7]	2.16	8.20
	RCFL-H*2417 (RGPR-05?BMK?)	23,200 [6.8]	16,500 [4.8]	6,700 [2.0]	12.00	14.50	74	775 [366]	21,800 [6.4]	3.48	12,600 [3.7]	2.12	8.20
RCFL-H*2417 (RGPR-07?AMK?)	23,400 [6.9]	16,650 [4.9]	6,750 [2.0]	12.50	15.00	74	750 [354]	21,600 [6.3]	3.56	12,400 [3.6]	2.16	8.20	

① Highest sales volume tested combination required by D.O.E. test procedures.

[] Designates Metric Conversions

Performance Data ARI Standard Conditions (cont.)

Note: Only these combinations of indoor/outdoor units are approved and any other combinations should not be used.

Model Numbers		ARI Cooling Performance							ARI Htg. Performance (70°F 21.0°C) Indoor				
		80°F [26.5°C] DB/67°F [19.5°C] WB Indoor Air 95°F [35.0°C] DB Outdoor Air							Outdoor Air 47°F DB/43°F WB [8.5°C/6.0°C] DOE High Temp.		Outdoor Air 17°F DB/15°F WB [-8.5°C/-9.5°C] DOE Low Temp.		DOE Region IV HSPF
Outdoor Unit 15PJL	Indoor Coil and/or Air Handler	Total Capacity BTU/H [kW]	Net Sens. BTU/H [kW]	Net Latent BTU/H [kW]	EER	SEER	Snd. Rate dB	Indoor CFM [L/s]	BTU/H [kW]	COP	BTU/H [kW]	COP	
Rev. 2/3/10 24	RCFL-H*2417 (RGRM-04?MAE?)	23,400 [6.9]	16,650 [4.9]	6,750 [2.0]	12.00	14.50	74	750 [354]	21,600 [6.3]	3.52	12,500 [3.7]	2.14	8.20
	RCFL-H*2417 (RGRM-06?MAE?)	23,400 [6.9]	16,650 [4.9]	6,750 [2.0]	12.00	14.50	74	775 [366]	21,600 [6.3]	3.52	12,500 [3.7]	2.14	8.20
	RCFL-H*2417 (RGRM-07?MAE?)	23,200 [6.8]	16,500 [4.8]	6,700 [2.0]	11.50	14.00	74	800 [378]	21,800 [6.4]	3.46	12,600 [3.7]	2.12	8.20
	RCFL-H*2417 (RGTM-06?MAE?)	23,400 [6.9]	16,650 [4.9]	6,750 [2.0]	12.50	15.00	74	750 [354]	21,600 [6.3]	3.56	12,400 [3.6]	2.16	8.50
	RHKL-HM2417 (RCSL-H*2417)	23,200 [6.8]	17,200 [5.0]	6,000 [1.8]	12.50	15.00	74	825 [389]	21,800 [6.4]	3.52	12,500 [3.7]	2.14	8.50
	RHSL-HM2417 (RCSL-H*2417)	23,000 [6.7]	16,350 [4.8]	6,650 [1.9]	11.00	13.50	74	800 [378]	22,000 [6.4]	3.36	12,900 [3.8]	2.08	7.70
30	RHLL-HM3617 (RCSL-H*3617) ①	28,800 [8.4]	21,250 [6.2]	7,550 [2.2]	12.50	15.00	73	950 [448]	27,200 [8.0]	3.62	16,300 [4.8]	2.30	8.50
	RHBL-FR36T	29,000 [8.5]	22,300 [6.5]	6,700 [2.0]	12.50	15.00	73	975 [460]	28,000 [8.2]	3.74	16,700 [4.9]	2.42	8.50
	RCFL-H*3617	28,600 [8.4]	21,050 [6.2]	7,550 [2.2]	11.50	13.50	73	950 [448]	27,800 [8.1]	3.42	16,900 [5.0]	2.20	7.70
	RCFL-H*3617 (RGFD-06?MCK?)	28,600 [8.4]	21,300 [6.2]	7,300 [2.1]	11.50	13.50	73	1,000 [472]	27,600 [8.1]	3.46	16,800 [4.9]	2.22	7.70
	RCFL-H*3617 (RGFD-07?MCK?)	28,800 [8.4]	21,500 [6.3]	7,300 [2.1]	11.50	14.00	73	1,000 [472]	27,600 [8.1]	3.50	16,600 [4.9]	2.24	8.20
	RCFL-H*3617 (RGFE-06?MCK?)	28,800 [8.4]	21,500 [6.3]	7,300 [2.1]	11.50	14.00	73	1,000 [472]	27,600 [8.1]	3.50	16,600 [4.9]	2.24	8.20
	RCFL-H*3617 (RGFE-07?MCK?)	28,800 [8.4]	21,600 [6.3]	7,200 [2.1]	11.50	14.00	73	1,025 [484]	27,600 [8.1]	3.48	16,700 [4.9]	2.24	8.20
	RCFL-H*3617 (RGGD-07?MCK?)	29,000 [8.5]	21,800 [6.4]	7,200 [2.1]	11.50	14.00	73	1,025 [484]	27,600 [8.1]	3.50	16,600 [4.9]	2.24	8.20
	RCFL-H*3617 (RGGE-06?MCK?)	28,800 [8.4]	21,500 [6.3]	7,300 [2.1]	11.50	14.00	73	1,000 [472]	27,400 [8.0]	3.52	16,600 [4.9]	2.26	8.20
	RCFL-H*3617 (RGGE-07?MCK?)	29,000 [8.5]	21,750 [6.4]	7,250 [2.1]	11.50	14.00	73	1,025 [484]	27,400 [8.0]	3.52	16,600 [4.9]	2.26	8.20
	RCFL-H*3617 (RGJF-06?MCK?)	28,800 [8.4]	21,500 [6.3]	7,300 [2.1]	11.50	14.00	73	1,000 [472]	27,400 [8.0]	3.52	16,600 [4.9]	2.26	8.20
	RCFL-H*3617 (RGJF-07?MCK?)	29,000 [8.5]	21,750 [6.4]	7,250 [2.1]	11.50	14.00	73	1,025 [484]	27,400 [8.0]	3.52	16,600 [4.9]	2.26	8.20
	RCFL-H*3617 (RGLE-07?AMK?)	29,200 [8.6]	21,950 [6.4]	7,250 [2.1]	12.00	14.50	73	1,025 [484]	27,400 [8.0]	3.56	16,400 [4.8]	2.28	8.20
	RCFL-H*3617 (RGLR-07?AMK?)	29,000 [8.5]	21,750 [6.4]	7,250 [2.1]	12.00	14.50	73	1,025 [484]	27,400 [8.0]	3.54	16,500 [4.8]	2.28	8.20
	RCFL-H*3617 (RGPE-05?BMK?)	28,600 [8.4]	21,100 [6.2]	7,500 [2.2]	11.50	14.00	73	975 [460]	27,400 [8.0]	3.54	16,500 [4.8]	2.26	8.20
	RCFL-H*3617 (RGPE-07?AMK?)	29,000 [8.5]	21,650 [6.3]	7,350 [2.2]	12.00	14.50	73	1,000 [472]	27,400 [8.0]	3.54	16,500 [4.8]	2.28	8.20
	RCFL-H*3617 (RGPR-05?BMK?)	28,800 [8.4]	21,500 [6.3]	7,300 [2.1]	11.50	14.00	73	1,000 [472]	27,600 [8.1]	3.48	16,700 [4.9]	2.24	8.20
	RCFL-H*3617 (RGPR-07?AMK?)	29,000 [8.5]	21,650 [6.3]	7,350 [2.2]	12.00	14.50	73	1,000 [472]	27,400 [8.0]	3.54	16,500 [4.8]	2.26	8.20
	RCFL-H*3617 (RGRM-04?MAE?)	28,800 [8.4]	21,600 [6.3]	7,200 [2.1]	11.50	13.50	73	1,025 [484]	27,600 [8.1]	3.46	16,800 [4.9]	2.22	7.70
	RCFL-H*3617 (RGRM-06?MAE?)	28,800 [8.4]	21,500 [6.3]	7,300 [2.1]	11.50	14.00	73	1,000 [472]	27,600 [8.1]	3.48	16,700 [4.9]	2.24	8.20
RCFL-H*3617 (RGRM-07?MAE?)	28,400 [8.3]	20,950 [6.1]	7,450 [2.2]	11.50	13.50	73	950 [448]	27,600 [8.1]	3.48	16,700 [4.9]	2.24	7.70	
RCFL-H*3617 (RGTM-06?MAE?)	28,600 [8.4]	20,850 [6.1]	7,750 [2.3]	12.00	14.50	73	900 [425]	27,200 [8.0]	3.60	16,300 [4.8]	2.30	8.20	

① Highest sales volume tested combination required by D.O.E. test procedures.

[] Designates Metric Conversions

Performance Data ARI Standard Conditions (cont.)

Note: Only these combinations of indoor/outdoor units are approved and any other combinations should not be used.

Model Numbers		ARI Cooling Performance							ARI Htg. Performance (70°F 21.0°C) Indoor				
		80°F [26.5°C] DB/67°F [19.5°C] WB Indoor Air 95°F [35.0°C] DB Outdoor Air							Outdoor Air 47°F DB/43°F WB [8.5°C/6.0°C] DOE High Temp.		Outdoor Air 17°F DB/15°F WB [-8.5°C/-9.5°C] DOE Low Temp.		DOE Region IV HSPF
Outdoor Unit 15PJL	Indoor Coil and/or Air Handler	Total Capacity BTU/H [kW]	Net Sens. BTU/H [kW]	Net Latent BTU/H [kW]	EER	SEER	Snd. Rate dB	Indoor CFM [L/s]	BTU/H [kW]	COP	BTU/H [kW]	COP	
Rev. 2/3/10	RCFL-H*3621	28,600 [8.4]	21,050 [6.2]	7,550 [2.2]	11.50	13.50	73	950 [448]	27,800 [8.1]	3.42	16,900 [5.0]	2.20	7.70
	RCFL-H*3621 (RGFD-06?MCK?)	28,600 [8.4]	21,300 [6.2]	7,300 [2.1]	11.50	13.50	73	1,000 [472]	27,600 [8.1]	3.46	16,700 [4.9]	2.22	7.70
30	RCFL-H*3621 (RGFD-07?MCK?)	28,800 [8.4]	21,500 [6.3]	7,300 [2.1]	11.50	14.00	73	1,000 [472]	27,600 [8.1]	3.50	16,600 [4.9]	2.24	8.20
	RCFL-H*3621 (RGFE-06?MCK?)	28,800 [8.4]	21,500 [6.3]	7,300 [2.1]	11.50	14.00	73	1,000 [472]	27,400 [8.0]	3.52	16,600 [4.9]	2.26	8.20
	RCFL-H*3621 (RGFE-07?MCK?)	29,000 [8.5]	21,800 [6.4]	7,200 [2.1]	11.50	14.00	73	1,025 [484]	27,600 [8.1]	3.50	16,600 [4.9]	2.24	8.20
	RCFL-H*3621 (RGFE-09?ZCM?)	28,800 [8.4]	21,250 [6.2]	7,550 [2.2]	12.00	14.50	73	975 [460]	27,200 [8.0]	3.58	16,400 [4.8]	2.30	8.20
	RCFL-H*3621 (RGFE-10?ZCM?)	29,000 [8.5]	21,750 [6.4]	7,250 [2.1]	12.00	14.50	73	1,025 [484]	27,400 [8.0]	3.54	16,500 [4.8]	2.28	8.20
	RCFL-H*3621 (RGGD-07?MCK?)	29,000 [8.5]	21,800 [6.4]	7,200 [2.1]	11.50	14.00	73	1,025 [484]	27,600 [8.1]	3.50	16,600 [4.9]	2.24	8.50
	RCFL-H*3621 (RGGE-06?MCK?)	28,800 [8.4]	21,450 [6.3]	7,350 [2.2]	11.50	14.00	73	1,000 [472]	27,400 [8.0]	3.52	16,500 [4.8]	2.26	8.50
	RCFL-H*3621 (RGGE-07?MCK?)	29,000 [8.5]	21,750 [6.4]	7,250 [2.1]	11.50	14.00	73	1,025 [484]	27,400 [8.0]	3.52	16,600 [4.9]	2.26	8.20
	RCFL-H*3621 (RGGE-09?ZCM?)	29,200 [8.6]	21,950 [6.4]	7,250 [2.1]	12.00	14.50	73	1,025 [484]	27,400 [8.0]	3.56	16,400 [4.8]	2.28	8.20
	RCFL-H*3621 (RGGE-10?ZCM?)	29,000 [8.5]	21,650 [6.3]	7,350 [2.2]	12.00	14.50	73	1,000 [472]	27,200 [8.0]	3.58	16,400 [4.8]	2.28	8.20
	RCFL-H*3621 (RGJF-06?MCK?)	28,800 [8.4]	21,450 [6.3]	7,350 [2.2]	11.50	14.00	73	1,000 [472]	27,400 [8.0]	3.52	16,500 [4.8]	2.26	8.50
	RCFL-H*3621 (RGJF-07?MCK?)	29,000 [8.5]	21,750 [6.4]	7,250 [2.1]	11.50	14.00	73	1,025 [484]	27,400 [8.0]	3.52	16,600 [4.9]	2.26	8.50
	RCFL-H*3621 (RGJF-09?ZCM?)	29,200 [8.6]	21,950 [6.4]	7,250 [2.1]	12.00	14.50	73	1,025 [484]	27,400 [8.0]	3.56	16,400 [4.8]	2.28	8.50
	RCFL-H*3621 (RGJF-10?ZCM?)	29,000 [8.5]	21,650 [6.3]	7,350 [2.2]	12.00	14.50	73	1,000 [472]	27,200 [8.0]	3.58	16,400 [4.8]	2.28	8.50
	RCFL-H*3621 (RGLE-07?AMK?)	29,200 [8.6]	21,900 [6.4]	7,300 [2.1]	12.00	14.50	73	1,025 [484]	27,400 [8.0]	3.56	16,400 [4.8]	2.28	8.20
	RCFL-H*3621 (RGLE-07?BRQ?)	29,200 [8.6]	21,900 [6.4]	7,300 [2.1]	12.50	15.00	73	1,025 [484]	27,200 [8.0]	3.60	16,300 [4.8]	2.30	8.50
	RCFL-H*3621 (RGLE-10?BRM?)	29,400 [8.6]	22,200 [6.5]	7,200 [2.1]	12.50	15.00	73	1,050 [495]	27,200 [8.0]	3.62	16,300 [4.8]	2.30	8.50
	RCFL-H*3621 (RGLR-07?AMK?)	29,200 [8.6]	21,950 [6.4]	7,250 [2.1]	12.00	14.50	73	1,025 [484]	27,400 [8.0]	3.56	16,400 [4.8]	2.28	8.50
	RCFL-H*3621 (RGLR-07?BRQ?)	29,200 [8.6]	21,800 [6.4]	7,400 [2.2]	12.50	15.00	73	1,000 [472]	27,200 [8.0]	3.62	16,300 [4.8]	2.30	8.50
	RCFL-H*3621 (RGLR-10?BRM?)	29,400 [8.6]	22,200 [6.5]	7,200 [2.1]	12.50	15.00	73	1,050 [495]	27,200 [8.0]	3.60	16,300 [4.8]	2.30	8.50
	RCFL-H*3621 (RGPE-05?BMK?)	28,600 [8.4]	21,100 [6.2]	7,500 [2.2]	11.50	14.00	73	975 [460]	27,400 [8.0]	3.54	16,500 [4.8]	2.28	8.20
	RCFL-H*3621 (RGPE-07?AMK?)	29,000 [8.5]	21,650 [6.3]	7,350 [2.2]	12.00	14.50	73	1,000 [472]	27,400 [8.0]	3.56	16,400 [4.8]	2.28	8.20
	RCFL-H*3621 (RGPE-07?BRQ?)	29,200 [8.6]	21,900 [6.4]	7,300 [2.1]	12.50	15.00	73	1,025 [484]	27,200 [8.0]	3.62	16,300 [4.8]	2.30	8.50
	RCFL-H*3621 (RGPE-10?BRM?)	28,800 [8.4]	21,050 [6.2]	7,750 [2.3]	12.50	15.00	73	900 [425]	27,000 [7.9]	3.66	16,100 [4.7]	2.34	8.50
	RCFL-H*3621 (RGPR-05?BMK?)	28,800 [8.4]	21,500 [6.3]	7,300 [2.1]	11.50	14.00	73	1,000 [472]	27,600 [8.1]	3.50	16,600 [4.9]	2.24	8.20
	RCFL-H*3621 (RGPR-07?AMK?)	29,000 [8.5]	21,650 [6.3]	7,350 [2.2]	12.00	14.50	73	1,000 [472]	27,400 [8.0]	3.54	16,500 [4.8]	2.28	8.20

① Highest sales volume tested combination required by D.O.E. test procedures.

[] Designates Metric Conversions

Performance Data ARI Standard Conditions (cont.)

Note: Only these combinations of indoor/outdoor units are approved and any other combinations should not be used.

Model Numbers		ARI Cooling Performance							ARI Htg. Performance (70°F 21.0°C) Indoor				
		80°F [26.5°C] DB/67°F [19.5°C] WB Indoor Air 95°F [35.0°C] DB Outdoor Air							Outdoor Air 47°F DB/43°F WB [8.5°C/6.0°C] DOE High Temp.		Outdoor Air 17°F DB/15°F WB [-8.5°C/-9.5°C] DOE Low Temp.		DOE Region IV HSPF
Outdoor Unit 15PJL	Indoor Coil and/or Air Handler	Total Capacity BTU/H [kW]	Net Sens. BTU/H [kW]	Net Latent BTU/H [kW]	EER	SEER	Snd. Rate dB	Indoor CFM [L/s]	BTU/H [kW]	COP	BTU/H [kW]	COP	
Rev. 2/3/10	RCFL-H*3621 (RGPR-07?BRQ?)	29,200 [8.6]	21,800 [6.4]	7,400 [2.2]	12.50	15.00	73	1,000 [472]	27,200 [8.0]	3.62	16,300 [4.8]	2.30	8.50
	RCFL-H*3621 (RGPR-10?BRM?)	29,000 [8.5]	21,400 [6.3]	7,600 [2.2]	12.50	15.00	73	925 [437]	27,200 [8.0]	3.64	16,200 [4.7]	2.32	8.50
	RCFL-H*3621 (RGRM-04?MAE?)	28,800 [8.4]	21,600 [6.3]	7,200 [2.1]	11.50	13.50	73	1,025 [484]	27,600 [8.1]	3.46	16,700 [4.9]	2.22	8.20
	RCFL-H*3621 (RGRM-06?MAE?)	28,800 [8.4]	21,500 [6.3]	7,300 [2.1]	11.50	14.00	73	1,000 [472]	27,600 [8.1]	3.50	16,600 [4.9]	2.24	8.20
	RCFL-H*3621 (RGRM-07?MAE?)	28,400 [8.3]	20,950 [6.1]	7,450 [2.2]	11.50	14.00	73	950 [448]	27,600 [8.1]	3.48	16,700 [4.9]	2.24	8.20
	RCFL-H*3621 (RGRM-07?YBG?)	28,400 [8.3]	20,950 [6.1]	7,450 [2.2]	11.50	13.50	73	975 [460]	27,600 [8.1]	3.48	16,700 [4.9]	2.24	7.70
	RCFL-H*3621 (RGRM-09?ZAJ?)	28,800 [8.4]	21,250 [6.2]	7,550 [2.2]	12.00	14.50	73	950 [448]	27,200 [8.0]	3.58	16,400 [4.8]	2.28	8.20
	RCFL-H*3621 (RGRM-10?ZAJ?)	29,000 [8.5]	21,750 [6.4]	7,250 [2.1]	11.50	14.00	73	1,025 [484]	27,400 [8.0]	3.54	16,500 [4.8]	2.26	8.20
	RCFL-H*3621 (RGTM-06?MAE?)	28,600 [8.4]	20,850 [6.1]	7,750 [2.3]	12.00	14.50	73	900 [425]	27,200 [8.0]	3.62	16,300 [4.8]	2.30	8.20
	RCFL-H*3621 (RGTM-07?RBG?)	28,800 [8.4]	21,250 [6.2]	7,550 [2.2]	12.50	15.00	73	950 [448]	27,200 [8.0]	3.62	16,300 [4.8]	2.30	8.50
	RCFL-H*3621 (RGTM-09?ZAJ?)	28,800 [8.4]	21,250 [6.2]	7,550 [2.2]	12.00	14.50	73	975 [460]	27,200 [8.0]	3.62	16,300 [4.8]	2.30	8.20
	RHKL-HM3617 (RCSL-H*3617)	29,200 [8.6]	21,900 [6.4]	7,300 [2.1]	12.50	15.00	73	1,025 [484]	27,200 [8.0]	3.60	16,300 [4.8]	2.30	8.50
	RHSL-HM3017 (RCSL-H*3617)	28,400 [8.3]	20,950 [6.1]	7,450 [2.2]	11.50	13.50	73	950 [448]	27,600 [8.1]	3.46	16,800 [4.9]	2.22	7.70
30	RHLL-HM3617 (RCSL-H*3617) ①	35,400 [10.4]	25,350 [7.4]	10,050 [2.9]	12.50	15.00	75	1,100 [519]	34,600 [10.1]	3.68	22,200 [6.5]	2.56	8.50
	RHBL-FR36T	35,800 [10.5]	26,600 [7.8]	9,200 [2.7]	12.50	15.00	75	1,125 [531]	35,200 [10.3]	3.78	22,600 [6.6]	2.48	8.50
	RCFL-H*3617	35,200 [10.3]	25,150 [7.4]	10,050 [2.9]	11.50	14.00	75	1,075 [507]	35,200 [10.3]	3.54	22,800 [6.7]	2.46	8.20
	RCFL-H*3617 (RGLE-07?AMK?)	35,800 [10.5]	26,400 [7.7]	9,400 [2.8]	11.50	14.00	75	1,200 [566]	35,000 [10.3]	3.60	22,600 [6.6]	2.48	8.20
	RCFL-H*3617 (RGLR-07?AMK?)	35,800 [10.5]	26,400 [7.7]	9,400 [2.8]	11.50	14.00	75	1,200 [566]	35,000 [10.3]	3.58	22,600 [6.6]	2.48	8.20
	RCFL-H*3617 (RGPE-07?AMK?)	35,800 [10.5]	26,500 [7.8]	9,300 [2.7]	11.50	14.00	75	1,225 [578]	35,000 [10.3]	3.56	22,600 [6.6]	2.46	8.20
	RCFL-H*3617 (RGPR-07?AMK?)	35,800 [10.5]	26,400 [7.7]	9,400 [2.8]	11.50	14.00	75	1,200 [566]	35,000 [10.3]	3.56	22,600 [6.6]	2.48	8.20
	RCFL-H*3617 (RGTM-06?MAE?)	35,400 [10.4]	25,350 [7.4]	10,050 [2.9]	12.00	14.50	75	1,075 [507]	34,800 [10.2]	3.66	22,400 [6.6]	2.52	8.20
	RCFL-H*3621	35,200 [10.3]	25,150 [7.4]	10,050 [2.9]	11.50	14.00	75	1,075 [507]	35,200 [10.3]	3.54	22,800 [6.7]	2.46	8.20
	RCFL-H*3621 (RGFD-10?ZCM?)	35,800 [10.5]	26,250 [7.7]	9,550 [2.8]	12.00	14.50	75	1,175 [554]	34,800 [10.2]	3.62	22,400 [6.6]	2.50	8.20
	RCFL-H*3621 (RGFE-09?ZCM?)	35,800 [10.5]	26,350 [7.7]	9,450 [2.8]	12.00	14.50	75	1,200 [566]	34,800 [10.2]	3.62	22,400 [6.6]	2.50	8.20
	RCFL-H*3621 (RGFE-10?ZCM?)	36,000 [10.5]	26,700 [7.8]	9,300 [2.7]	11.50	14.00	75	1,225 [578]	35,000 [10.3]	3.60	22,600 [6.6]	2.48	8.20
	RCFL-H*3621 (RGGE-06?MCK?)	35,800 [10.5]	26,400 [7.7]	9,400 [2.8]	11.50	14.00	75	1,200 [566]	35,000 [10.3]	3.56	22,600 [6.6]	2.46	8.20
	RCFL-H*3621 (RGGE-09?ZCM?)	36,000 [10.5]	26,650 [7.8]	9,350 [2.7]	12.00	14.50	75	1,225 [578]	34,800 [10.2]	3.64	22,400 [6.6]	2.50	8.20
	RCFL-H*3621 (RGGE-10?ZCM?)	35,800 [10.5]	26,350 [7.7]	9,450 [2.8]	12.00	14.50	75	1,200 [566]	34,800 [10.2]	3.62	22,400 [6.6]	2.50	8.20

① Highest sales volume tested combination required by D.O.E. test procedures.

[] Designates Metric Conversions

Performance Data ARI Standard Conditions (cont.)

Note: Only these combinations of indoor/outdoor units are approved and any other combinations should not be used.

Model Numbers		ARI Cooling Performance							ARI Htg. Performance (70°F 21.0°C) Indoor				
		80°F [26.5°C] DB/67°F [19.5°C] WB Indoor Air 95°F [35.0°C] DB Outdoor Air							Outdoor Air 47°F DB/43°F WB [8.5°C/6.0°C] DOE High Temp.		Outdoor Air 17°F DB/15°F WB [-8.5°C/-9.5°C] DOE Low Temp.		DOE Region IV HSPF
Outdoor Unit 15PJL	Indoor Coil and/or Air Handler	Total Capacity BTU/H [kW]	Net Sens. BTU/H [kW]	Net Latent BTU/H [kW]	EER	SEER	Snd. Rate dB	Indoor CFM [L/s]	BTU/H [kW]	COP	BTU/H [kW]	COP	
Rev. 2/3/10	RCFL-H*3621 (RGJF-06?MCK?)	35,800 [10.5]	26,400 [7.7]	9,400 [2.8]	11.50	14.00	75	1,200 [566]	35,000 [10.3]	3.56	22,600 [6.6]	2.46	8.20
	RCFL-H*3621 (RGJF-09?ZCM?)	36,000 [10.5]	26,650 [7.8]	9,350 [2.7]	12.00	14.50	75	1,225 [578]	34,800 [10.2]	3.64	22,400 [6.6]	2.50	8.20
	RCFL-H*3621 (RGJF-10?ZCM?)	35,800 [10.5]	26,350 [7.7]	9,450 [2.8]	12.00	14.50	75	1,200 [566]	34,800 [10.2]	3.62	22,400 [6.6]	2.50	8.20
	RCFL-H*3621 (RGLE-07?AMK?)	35,800 [10.5]	26,350 [7.7]	9,450 [2.8]	11.50	14.00	75	1,200 [566]	34,800 [10.2]	3.60	22,400 [6.6]	2.50	8.20
	RCFL-H*3621 (RGLE-07?BRQ?)	36,200 [10.6]	26,850 [7.9]	9,350 [2.7]	12.00	14.50	75	1,225 [578]	34,600 [10.1]	3.66	22,200 [6.5]	2.52	8.20
	RCFL-H*3621 (RGLE-10?BRM?)	36,200 [10.6]	26,700 [7.8]	9,500 [2.8]	12.50	15.00	75	1,200 [566]	34,600 [10.1]	3.70	22,200 [6.5]	2.54	8.50
	RCFL-H*3621 (RGLR-07?AMK?)	35,800 [10.5]	26,350 [7.7]	9,450 [2.8]	11.50	14.00	75	1,200 [566]	35,000 [10.3]	3.60	22,600 [6.6]	2.48	8.20
	RCFL-H*3621 (RGLR-07?BRQ?)	36,200 [10.6]	26,800 [7.9]	9,400 [2.8]	12.00	14.50	75	1,225 [578]	34,600 [10.1]	3.66	22,200 [6.5]	2.52	8.20
	RCFL-H*3621 (RGLR-10?BRM?)	36,200 [10.6]	26,700 [7.8]	9,500 [2.8]	12.50	15.00	75	1,200 [566]	34,600 [10.1]	3.68	22,200 [6.5]	2.54	8.50
	RCFL-H*3621 (RGPE-05?BMK?)	35,800 [10.5]	26,400 [7.7]	9,400 [2.8]	11.50	14.00	75	1,200 [566]	35,000 [10.3]	3.56	22,600 [6.6]	2.46	8.20
	RCFL-H*3621 (RGPE-07?AMK?)	35,800 [10.5]	26,500 [7.8]	9,300 [2.7]	11.50	14.00	75	1,225 [578]	35,000 [10.3]	3.58	22,600 [6.6]	2.48	8.20
	RCFL-H*3621 (RGPE-07?BRQ?)	36,200 [10.6]	26,800 [7.9]	9,400 [2.8]	12.50	15.00	75	1,225 [578]	34,600 [10.1]	3.66	22,200 [6.5]	2.54	8.50
	RCFL-H*3621 (RGPE-10?BRM?)	36,200 [10.6]	26,800 [7.9]	9,400 [2.8]	12.50	15.00	75	1,225 [578]	34,600 [10.1]	3.68	22,200 [6.5]	2.54	8.50
	RCFL-H*3621 (RGPR-07?AMK?)	35,800 [10.5]	26,400 [7.7]	9,400 [2.8]	11.50	14.00	75	1,200 [566]	35,000 [10.3]	3.58	22,600 [6.6]	2.48	8.20
	RCFL-H*3621 (RGPR-07?BRQ?)	36,200 [10.6]	26,800 [7.9]	9,400 [2.8]	12.50	15.00	75	1,225 [578]	34,600 [10.1]	3.68	22,200 [6.5]	2.54	8.50
	RCFL-H*3621 (RGPR-10?BRM?)	36,200 [10.6]	26,850 [7.9]	9,350 [2.7]	12.00	14.50	75	1,225 [578]	34,800 [10.2]	3.64	22,400 [6.6]	2.52	8.20
	RCFL-H*3621 (RGRM-09?ZAJ?)	36,000 [10.5]	26,700 [7.8]	9,300 [2.7]	11.50	14.00	75	1,225 [578]	35,000 [10.3]	3.58	22,600 [6.6]	2.48	8.20
	RCFL-H*3621 (RGRM-10?ZAJ?)	35,600 [10.4]	25,950 [7.6]	9,650 [2.8]	11.50	14.00	75	1,150 [543]	34,800 [10.2]	3.60	22,400 [6.6]	2.50	8.20
	RCFL-H*3621 (RGTM-06?MAE?)	35,400 [10.4]	25,350 [7.4]	10,050 [2.9]	12.00	14.50	75	1,075 [507]	34,600 [10.1]	3.66	22,200 [6.5]	2.52	8.20
	RCFL-H*3621 (RGTM-07?RBG?)	35,800 [10.5]	25,950 [7.6]	9,850 [2.9]	12.50	15.00	75	1,125 [531]	34,600 [10.1]	3.68	22,200 [6.5]	2.54	8.50
RCFL-H*3621 (RGTM-09?ZAJ?)	35,400 [10.4]	25,350 [7.4]	10,050 [2.9]	12.50	15.00	75	1,100 [519]	34,600 [10.1]	3.70	22,200 [6.5]	2.56	8.50	
RHKL-HM3617 (RCSL-H*3617)	35,400 [10.4]	25,100 [7.4]	10,300 [3.0]	12.50	15.00	75	1,025 [484]	34,400 [10.1]	3.74	22,000 [6.4]	2.58	8.50	
RHSL-HM3617 (RCSL-H*3617)	35,000 [10.3]	25,050 [7.3]	9,950 [2.9]	11.50	13.50	75	1,100 [519]	35,200 [10.3]	3.52	22,800 [6.7]	2.44	7.70	
42	RHLL-HM4821 (RCSL-H*4821) ①	40,000 [11.7]	28,650 [8.4]	11,350 [3.3]	12.50	15.00	77	1,350 [637]	37,400 [11.0]	3.72	24,200 [7.1]	2.60	8.50
	RCFL-H*4821	39,500 [11.6]	28,150 [8.2]	11,350 [3.3]	11.50	13.50	77	1,350 [637]	38,000 [11.1]	3.50	25,000 [7.3]	2.46	7.70
	RCFL-H*4821 (RGFD-10?ZCM?)	39,000 [11.4]	27,900 [8.2]	11,100 [3.3]	11.50	13.50	77	1,325 [625]	38,000 [11.1]	3.58	24,800 [7.3]	2.50	7.70
	RCFL-H*4821 (RGFE-09?ZCM?)	39,500 [11.6]	28,650 [8.4]	10,850 [3.2]	11.50	13.50	77	1,400 [661]	38,000 [11.1]	3.56	24,800 [7.3]	2.48	7.70
	RCFL-H*4821 (RGGE-09?ZCM?)	39,500 [11.6]	28,650 [8.4]	10,850 [3.2]	11.50	14.00	77	1,400 [661]	38,000 [11.1]	3.58	24,800 [7.3]	2.52	8.20

① Highest sales volume tested combination required by D.O.E. test procedures.

[] Designates Metric Conversions

Performance Data ARI Standard Conditions (cont.)

Note: Only these combinations of indoor/outdoor units are approved and any other combinations should not be used.

Model Numbers		ARI Cooling Performance							ARI Htg. Performance (70°F 21.0°C) Indoor				
		80°F [26.5°C] DB/67°F [19.5°C] WB Indoor Air 95°F [35.0°C] DB Outdoor Air							Outdoor Air 47°F DB/43°F WB [8.5°C/6.0°C] DOE High Temp.		Outdoor Air 17°F DB/15°F WB [-8.5°C/-9.5°C] DOE Low Temp.		DOE Region IV HSPF
Outdoor Unit 15PJL	Indoor Coil and/or Air Handler	Total Capacity BTU/H [kW]	Net Sens. BTU/H [kW]	Net Latent BTU/H [kW]	EER	SEER	Snd. Rate dB	Indoor CFM [L/s]	BTU/H [kW]	COP	BTU/H [kW]	COP	
Rev. 2/3/10	RCFL-H*4821 (RGGE-10?ZCM?)	39,500 [11.6]	28,650 [8.4]	10,850 [3.2]	11.50	13.50	77	1,400 [661]	38,000 [11.1]	3.56	24,800 [7.3]	2.50	8.20
	RCFL-H*4821 (RGJF-09?ZCM?)	39,500 [11.6]	28,600 [8.4]	10,900 [3.2]	11.50	14.00	77	1,400 [661]	37,800 [11.1]	3.58	24,600 [7.2]	2.52	8.20
	RCFL-H*4821 (RGJF-10?ZCM?)	39,500 [11.6]	28,650 [8.4]	10,850 [3.2]	11.50	13.50	77	1,400 [661]	38,000 [11.1]	3.56	24,800 [7.3]	2.50	8.50
	RCFL-H*4821 (RGLE-07?BRQ?)	39,500 [11.6]	28,600 [8.4]	10,900 [3.2]	11.50	14.00	77	1,400 [661]	37,800 [11.1]	3.62	24,600 [7.2]	2.54	8.20
	RCFL-H*4821 (RGLE-10?BRM?)	40,000 [11.7]	29,050 [8.5]	10,950 [3.2]	12.00	14.50	77	1,400 [661]	37,600 [11.0]	3.66	24,400 [7.1]	2.56	8.20
	RCFL-H*4821 (RGLR-07?BRQ?)	40,000 [11.7]	29,200 [8.6]	10,800 [3.2]	11.50	14.00	77	1,425 [672]	37,800 [11.1]	3.62	24,600 [7.2]	2.54	8.20
	RCFL-H*4821 (RGLR-10?BRM?)	39,500 [11.6]	28,300 [8.3]	11,200 [3.3]	12.00	14.50	77	1,375 [649]	37,600 [11.0]	3.66	24,400 [7.1]	2.56	8.20
	RCFL-H*4821 (RGPE-07?BRQ?)	39,500 [11.6]	28,550 [8.4]	10,950 [3.2]	12.00	14.50	77	1,400 [661]	37,600 [11.0]	3.64	24,400 [7.1]	2.54	8.20
	RCFL-H*4821 (RGPE-10?BRM?)	39,500 [11.6]	28,550 [8.4]	10,950 [3.2]	12.00	14.50	77	1,400 [661]	37,600 [11.0]	3.64	24,600 [7.2]	2.54	8.20
	RCFL-H*4821 (RGPR-07?BRQ?)	39,500 [11.6]	28,550 [8.4]	10,950 [3.2]	12.00	14.50	77	1,400 [661]	37,600 [11.0]	3.64	24,400 [7.1]	2.54	8.20
	RCFL-H*4821 (RGPR-10?BRM?)	39,500 [11.6]	28,750 [8.4]	10,750 [3.1]	11.50	14.00	77	1,425 [672]	37,800 [11.1]	3.60	24,600 [7.2]	2.52	8.20
	RCFL-H*4821 (RGTM-07?RBG?)	39,500 [11.6]	28,300 [8.3]	11,200 [3.3]	12.00	14.50	77	1,325 [625]	37,600 [11.0]	3.64	24,400 [7.1]	2.56	8.20
	RCFL-H*4821 (RGTM-09?ZAJ?)	39,000 [11.4]	27,250 [8.0]	11,750 [3.4]	12.00	14.50	77	1,250 [590]	37,600 [11.0]	3.68	24,400 [7.1]	2.58	8.20
42	RCFL-H*4824	39,500 [11.6]	28,150 [8.2]	11,350 [3.3]	11.50	13.50	77	1,350 [637]	38,000 [11.1]	3.50	25,000 [7.3]	2.46	7.70
	RCFL-H*4824 (RGFD-10?ZCM?)	39,000 [11.4]	27,900 [8.2]	11,100 [3.3]	11.50	13.50	77	1,325 [625]	38,000 [11.1]	3.56	24,800 [7.3]	2.50	7.70
	RCFL-H*4824 (RGFE-09?ZCM?)	39,500 [11.6]	28,650 [8.4]	10,850 [3.2]	11.50	13.50	77	1,400 [661]	38,000 [11.1]	3.54	24,800 [7.3]	2.48	7.70
	RCFL-H*4824 (RGFE-12?RCM?)	39,500 [11.6]	28,900 [8.5]	10,600 [3.1]	11.50	14.00	77	1,450 [684]	38,000 [11.1]	3.58	24,800 [7.3]	2.52	8.20
	RCFL-H*4824 (RGGE-09?ZCM?)	39,500 [11.6]	28,650 [8.4]	10,850 [3.2]	11.50	14.00	77	1,400 [661]	38,000 [11.1]	3.58	24,800 [7.3]	2.52	8.20
	RCFL-H*4824 (RGGE-10?ZCM?)	39,500 [11.6]	28,650 [8.4]	10,850 [3.2]	11.50	13.50	77	1,400 [661]	38,000 [11.1]	3.56	24,800 [7.3]	2.50	7.70
	RCFL-H*4824 (RGGE-12?RCM?)	39,500 [11.6]	28,300 [8.3]	11,200 [3.3]	11.50	14.00	77	1,375 [649]	37,600 [11.0]	3.64	24,400 [7.1]	2.54	8.20
	RCFL-H*4824 (RGJD-12?RCM?)	40,000 [11.7]	29,350 [8.6]	10,650 [3.1]	11.50	14.00	77	1,450 [684]	37,800 [11.1]	3.62	24,600 [7.2]	2.52	8.20
	RCFL-H*4824 (RGJF-09?ZCM?)	39,500 [11.6]	28,600 [8.4]	10,900 [3.2]	11.50	14.00	77	1,400 [661]	37,800 [11.1]	3.58	24,600 [7.2]	2.52	8.20
	RCFL-H*4824 (RGJF-10?ZCM?)	39,500 [11.6]	28,650 [8.4]	10,850 [3.2]	11.50	13.50	77	1,400 [661]	38,000 [11.1]	3.56	24,800 [7.3]	2.50	7.70
	RCFL-H*4824 (RGJF-12?RCM?)	39,500 [11.6]	28,300 [8.3]	11,200 [3.3]	12.00	14.50	77	1,375 [649]	37,600 [11.0]	3.64	24,400 [7.1]	2.56	8.20
	RCFL-H*4824 (RGLE-07?BRQ?)	39,500 [11.6]	28,600 [8.4]	10,900 [3.2]	11.50	14.00	77	1,400 [661]	37,800 [11.1]	3.62	24,600 [7.2]	2.54	8.20
	RCFL-H*4824 (RGLE-10?BRM?)	40,000 [11.7]	29,050 [8.5]	10,950 [3.2]	12.00	14.50	77	1,400 [661]	37,600 [11.0]	3.66	24,400 [7.1]	2.56	8.20
	RCFL-H*4824 (RGLE-12?ARM?)	40,000 [11.7]	29,150 [8.5]	10,850 [3.2]	12.00	14.50	77	1,425 [672]	37,600 [11.0]	3.66	24,400 [7.1]	2.56	8.20
	RCFL-H*4824 (RGLR-07?BRQ?)	40,000 [11.7]	29,200 [8.6]	10,800 [3.2]	11.50	14.00	77	1,425 [672]	37,800 [11.1]	3.62	24,600 [7.2]	2.54	8.20

① Highest sales volume tested combination required by D.O.E. test procedures.

[] Designates Metric Conversions

Performance Data ARI Standard Conditions (cont.)

Note: Only these combinations of indoor/outdoor units are approved and any other combinations should not be used.

Model Numbers		ARI Cooling Performance							ARI Htg. Performance (70°F 21.0°C) Indoor				
		80°F [26.5°C] DB/67°F [19.5°C] WB Indoor Air 95°F [35.0°C] DB Outdoor Air							Outdoor Air 47°F DB/43°F WB [8.5°C/6.0°C] DOE High Temp.		Outdoor Air 17°F DB/15°F WB [-8.5°C/-9.5°C] DOE Low Temp.		DOE Region IV HSPF
Outdoor Unit 15PJL	Indoor Coil and/or Air Handler	Total Capacity BTU/H [kW]	Net Sens. BTU/H [kW]	Net Latent BTU/H [kW]	EER	SEER	Snd. Rate dB	Indoor CFM [L/s]	BTU/H [kW]	COP	BTU/H [kW]	COP	
Rev. 2/3/10 42	RCFL-H*4824 (RGLR-10?BRM?)	39,500 [11.6]	28,300 [8.3]	11,200 [3.3]	12.00	14.50	77	1,375 [649]	37,600 [11.0]	3.66	24,400 [7.1]	2.56	8.20
	RCFL-H*4824 (RGLR-12?ARM?)	40,000 [11.7]	29,200 [8.6]	10,800 [3.2]	12.00	14.50	77	1,425 [672]	37,600 [11.0]	3.64	24,400 [7.1]	2.54	8.20
	RCFL-H*4824 (RGPE-07?BRQ?)	39,500 [11.6]	28,550 [8.4]	10,950 [3.2]	11.50	14.00	77	1,400 [661]	37,800 [11.1]	3.64	24,600 [7.2]	2.54	8.20
	RCFL-H*4824 (RGPE-10?BRM?)	39,500 [11.6]	28,550 [8.4]	10,950 [3.2]	11.50	14.00	77	1,400 [661]	37,800 [11.1]	3.64	24,600 [7.2]	2.54	8.20
	RCFL-H*4824 (RGPE-12?ARM?)	40,000 [11.7]	29,150 [8.5]	10,850 [3.2]	12.00	14.50	77	1,425 [672]	37,600 [11.0]	3.66	24,400 [7.1]	2.56	8.20
	RCFL-H*4824 (RGPR-07?BRQ?)	39,500 [11.6]	28,550 [8.4]	10,950 [3.2]	12.00	14.50	77	1,400 [661]	37,600 [11.0]	3.64	24,400 [7.1]	2.54	8.20
	RCFL-H*4824 (RGPR-10?BRM?)	39,500 [11.6]	28,750 [8.4]	10,750 [3.1]	11.50	14.00	77	1,425 [672]	37,800 [11.1]	3.60	24,600 [7.2]	2.52	8.20
	RCFL-H*4824 (RGPR-12?ARM?)	39,500 [11.6]	28,550 [8.4]	10,950 [3.2]	12.00	14.50	77	1,400 [661]	37,600 [11.0]	3.64	24,400 [7.1]	2.54	8.20
	RCFL-H*4824 (RGRM-12?RAJ?)	39,500 [11.6]	28,750 [8.4]	10,750 [3.1]	11.50	14.00	77	1,425 [672]	38,000 [11.1]	3.56	24,800 [7.3]	2.50	8.20
	RCFL-H*4824 (RGTM-07?RBG?)	39,500 [11.6]	28,300 [8.3]	11,200 [3.3]	12.00	14.50	77	1,325 [625]	37,600 [11.0]	3.64	24,400 [7.1]	2.56	8.20
	RCFL-H*4824 (RGTM-09?ZAJ?)	39,000 [11.4]	27,250 [8.0]	11,750 [3.4]	12.00	14.50	77	1,250 [590]	37,600 [11.0]	3.68	24,400 [7.1]	2.58	8.20
	RCFL-H*4824 (RGTM-10?RBG?)	39,000 [11.4]	27,400 [8.0]	11,600 [3.4]	12.00	14.50	77	1,275 [602]	37,600 [11.0]	3.68	24,400 [7.1]	2.58	8.20
	RHKL-HM4821 (RCSL-H*4821)	40,000 [11.7]	29,000 [8.5]	11,000 [3.2]	12.50	15.00	77	1,460 [689]	37,600 [11.0]	3.68	24,400 [7.1]	2.58	8.50
	RHSL-HM4221 (RCSL-H*4821)	39,000 [11.4]	27,950 [8.2]	11,050 [3.2]	11.50	13.50	77	1,350 [637]	38,500 [11.3]	3.48	25,200 [7.4]	2.46	7.70
48	RHLL-HM6024 (RCSL-H*6024) ①	46,500 [13.6]	35,350 [10.4]	11,150 [3.3]	12.50	15.00	77	1,575 [743]	41,500 [12.2]	3.84	25,000 [7.3]	2.48	8.50
	RCFL-H*6024	46,000 [13.5]	34,850 [10.2]	11,150 [3.3]	11.50	14.00	77	1,575 [743]	42,500 [12.5]	3.64	25,800 [7.6]	2.38	8.20
	RCFL-H*6024 (RGGE-12?RCM?)	46,000 [13.5]	34,950 [10.2]	11,050 [3.2]	11.50	14.00	77	1,575 [743]	42,000 [12.3]	3.72	25,400 [7.4]	2.44	8.20
	RCFL-H*6024 (RGJF-12?RCM?)	46,000 [13.5]	34,950 [10.2]	11,050 [3.2]	11.50	14.00	77	1,575 [743]	42,000 [12.3]	3.72	25,400 [7.4]	2.44	8.20
	RCFL-H*6024 (RGLE-07?BRQ?)	46,000 [13.5]	34,950 [10.2]	11,050 [3.2]	11.50	14.00	77	1,600 [755]	42,000 [12.3]	3.70	25,600 [7.5]	2.42	8.20
	RCFL-H*6024 (RGLE-10?BRM?)	46,500 [13.6]	35,400 [10.4]	11,100 [3.3]	12.00	14.50	77	1,600 [755]	42,000 [12.3]	3.74	25,400 [7.4]	2.46	8.20
	RCFL-H*6024 (RGLE-12?ARM?)	46,500 [13.6]	35,400 [10.4]	11,100 [3.3]	12.00	14.50	77	1,600 [755]	42,000 [12.3]	3.74	25,400 [7.4]	2.46	8.20
	RCFL-H*6024 (RGLR-07?BRQ?)	46,500 [13.6]	35,750 [10.5]	10,750 [3.1]	11.50	14.00	77	1,625 [767]	42,000 [12.3]	3.72	25,400 [7.4]	2.44	8.20
	RCFL-H*6024 (RGLR-10?BRM?)	46,000 [13.5]	34,900 [10.2]	11,100 [3.3]	11.50	14.00	77	1,575 [743]	42,000 [12.3]	3.72	25,400 [7.4]	2.44	8.20
	RCFL-H*6024 (RGLR-12?ARM?)	46,500 [13.6]	35,400 [10.4]	11,100 [3.3]	12.00	14.50	77	1,600 [755]	42,000 [12.3]	3.74	25,400 [7.4]	2.44	8.20
	RCFL-H*6024 (RGPE-07?BRQ?)	46,000 [13.5]	34,950 [10.2]	11,050 [3.2]	11.50	14.00	77	1,600 [755]	42,000 [12.3]	3.72	25,400 [7.4]	2.44	8.20
	RCFL-H*6024 (RGPE-10?BRM?)	46,500 [13.6]	35,400 [10.4]	11,100 [3.3]	12.00	14.50	77	1,550 [731]	41,500 [12.2]	3.76	25,200 [7.4]	2.46	8.20
	RCFL-H*6024 (RGPE-12?ARM?)	46,500 [13.6]	35,750 [10.5]	10,750 [3.1]	12.00	14.50	77	1,625 [767]	42,000 [12.3]	3.74	25,400 [7.4]	2.44	8.20
	RCFL-H*6024 (RGPR-07?BRQ?)	46,500 [13.6]	35,750 [10.5]	10,750 [3.1]	11.50	14.00	77	1,625 [767]	42,000 [12.3]	3.72	25,400 [7.4]	2.44	8.20

① Highest sales volume tested combination required by D.O.E. test procedures.

[] Designates Metric Conversions

Performance Data ARI Standard Conditions (cont.)

Note: Only these combinations of indoor/outdoor units are approved and any other combinations should not be used.

Model Numbers		ARI Cooling Performance							ARI Htg. Performance (70°F 21.0°C) Indoor				
		80°F [26.5°C] DB/67°F [19.5°C] WB Indoor Air 95°F [35.0°C] DB Outdoor Air							Outdoor Air 47°F DB/43°F WB [8.5°C/6.0°C] DOE High Temp.		Outdoor Air 17°F DB/15°F WB [-8.5°C/-9.5°C] DOE Low Temp.		DOE Region IV HSPF
Outdoor Unit 15PJL	Indoor Coil and/or Air Handler	Total Capacity BTU/H [kW]	Net Sens. BTU/H [kW]	Net Latent BTU/H [kW]	EER	SEER	Snd. Rate dB	Indoor CFM [L/s]	BTU/H [kW]	COP	BTU/H [kW]	COP	
Rev. 2/3/10	RCFL-H*6024 (RGPR-10?BRM?)	46,000 [13.5]	35,300 [10.3]	10,700 [3.1]	11.50	14.00	77	1,625 [767]	42,000 [12.3]	3.66	25,600 [7.5]	2.40	8.20
	RCFL-H*6024 (RGPR-12?ARM?)	46,500 [13.6]	35,400 [10.4]	11,100 [3.3]	12.00	14.50	77	1,575 [743]	42,000 [12.3]	3.74	25,400 [7.4]	2.44	8.20
48	RCFL-H*6024 (RGRM-12?RAJ?)	46,000 [13.5]	34,950 [10.2]	11,050 [3.2]	11.50	14.00	77	1,550 [731]	42,000 [12.3]	3.68	25,600 [7.5]	2.42	8.20
	RCFL-H*6024 (RGTM-07?RBG?)	45,500 [13.3]	33,750 [9.9]	11,750 [3.4]	11.50	14.00	77	1,475 [696]	42,000 [12.3]	3.74	25,400 [7.4]	2.46	8.20
	RCFL-H*6024 (RGTM-09?ZAJ?)	46,000 [13.5]	34,950 [10.2]	11,050 [3.2]	11.50	14.00	77	1,550 [731]	42,000 [12.3]	3.68	25,600 [7.5]	2.42	8.20
	RCFL-H*6024 (RGTM-10?RBG?)	46,000 [13.5]	35,300 [10.3]	10,700 [3.1]	11.50	14.00	77	1,625 [767]	42,000 [12.3]	3.68	25,600 [7.5]	2.42	8.20
	RHKL-HM6024 (RCSL-H*6024)	47,000 [13.8]	35,750 [10.5]	11,250 [3.3]	12.50	15.00	77	1,600 [755]	41,500 [12.2]	3.88	24,800 [7.3]	2.54	8.50
	RHSL-HM6024 (RCSL-H*6024)	46,000 [13.5]	36,300 [10.6]	9,700 [2.8]	11.00	13.00	77	1,750 [826]	43,000 [12.6]	3.46	26,600 [7.8]	2.30	7.70
	RHLL-HM6024 (RCSL-H*6024) ①	52,000 [15.2]	37,300 [10.9]	14,700 [4.3]	12.50	15.00	77	1,575 [743]	50,500 [14.8]	3.84	31,400 [9.2]	2.62	8.50
60	RCFL-H*6024 (RGGE-12?RCM?)	51,500 [15.1]	36,900 [10.8]	14,600 [4.3]	12.00	14.50	77	1,575 [743]	51,000 [14.9]	3.78	31,800 [9.3]	2.56	8.20
	RCFL-H*6024 (RGJF-12?RCM?)	51,500 [15.1]	36,900 [10.8]	14,600 [4.3]	12.00	14.50	77	1,575 [743]	51,000 [14.9]	3.78	31,800 [9.3]	2.56	8.20
	RCFL-H*6024 (RGLE-07?BRQ?)	51,500 [15.1]	36,950 [10.8]	14,550 [4.3]	12.00	14.50	77	1,600 [755]	51,000 [14.9]	3.76	32,000 [9.4]	2.54	8.20
	RCFL-H*6024 (RGLE-10?BRM?)	52,000 [15.2]	37,350 [10.9]	14,650 [4.3]	12.00	14.50	77	1,600 [755]	51,000 [14.9]	3.80	31,800 [9.3]	2.58	8.20
	RCFL-H*6024 (RGLE-12?ARM?)	52,000 [15.2]	37,350 [10.9]	14,650 [4.3]	12.00	14.50	77	1,600 [755]	51,000 [14.9]	3.80	31,800 [9.3]	2.58	8.20
	RCFL-H*6024 (RGLR-07?BRQ?)	52,000 [15.2]	37,750 [11.1]	14,250 [4.2]	12.00	14.50	77	1,625 [767]	51,000 [14.9]	3.76	31,800 [9.3]	2.56	8.20
	RCFL-H*6024 (RGLR-10?BRM?)	51,500 [15.1]	36,900 [10.8]	14,600 [4.3]	12.00	14.50	77	1,575 [743]	51,000 [14.9]	3.78	31,800 [9.3]	2.56	8.20
	RCFL-H*6024 (RGLR-12?ARM?)	52,000 [15.2]	37,350 [10.9]	14,650 [4.3]	12.00	14.50	77	1,600 [755]	51,000 [14.9]	3.80	31,800 [9.3]	2.58	8.20
	RCFL-H*6024 (RGPE-07?BRQ?)	51,500 [15.1]	36,900 [10.8]	14,600 [4.3]	12.00	14.50	77	1,600 [755]	51,000 [14.9]	3.76	31,800 [9.3]	2.56	8.20
	RCFL-H*6024 (RGPE-10?BRM?)	52,000 [15.2]	37,750 [11.1]	14,250 [4.2]	12.00	14.50	77	1,625 [767]	51,000 [14.9]	3.76	31,800 [9.3]	2.56	8.20
	RCFL-H*6024 (RGPE-12?ARM?)	52,000 [15.2]	37,700 [11.0]	14,300 [4.2]	12.00	14.50	77	1,625 [767]	51,000 [14.9]	3.78	31,800 [9.3]	2.58	8.20
	RCFL-H*6024 (RGPR-07?BRQ?)	52,000 [15.2]	37,750 [11.1]	14,250 [4.2]	12.00	14.50	77	1,625 [767]	51,000 [14.9]	3.78	31,800 [9.3]	2.56	8.20
	RCFL-H*6024 (RGPR-10?BRM?)	51,500 [15.1]	36,550 [10.7]	14,950 [4.4]	12.00	14.50	77	1,525 [720]	51,000 [14.9]	3.78	31,800 [9.3]	2.58	8.20
	RCFL-H*6024 (RGPR-12?ARM?)	52,000 [15.2]	37,350 [10.9]	14,650 [4.3]	12.00	14.50	77	1,575 [743]	51,000 [14.9]	3.80	31,600 [9.3]	2.58	8.20
	RCFL-H*6024 (RGTM-07?RBG?)	51,000 [14.9]	35,700 [10.5]	15,300 [4.5]	12.00	14.50	77	1,475 [696]	51,000 [14.9]	3.80	31,800 [9.3]	2.58	8.20
	RCFL-H*6024 (RGTM-09?ZAJ?)	51,500 [15.1]	36,950 [10.8]	14,550 [4.3]	12.00	14.50	77	1,550 [731]	51,000 [14.9]	3.74	32,000 [9.4]	2.54	8.20
	RCSL-H*6024	51,500 [15.1]	36,800 [10.8]	14,700 [4.3]	12.00	14.50	77	1,575 [743]	51,500 [15.1]	3.70	32,200 [9.4]	2.52	8.20
	RHKL-HM6024 (RCSL-H*6024)	53,000 [15.5]	39,950 [11.7]	13,050 [3.8]	12.50	15.00	77	1,800 [849]	50,500 [14.8]	3.82	31,600 [9.3]	2.58	8.50
	RHSL-HM6024 (RCSL-H*6024)	51,500 [15.1]	38,400 [11.3]	13,100 [3.8]	11.50	13.50	77	1,750 [826]	52,000 [15.2]	3.56	33,000 [9.7]	2.42	7.70

① Highest sales volume tested combination required by D.O.E. test procedures.

[] Designates Metric Conversions

Electrical and Physical Data

Model Number 15PJL	ELECTRICAL							PHYSICAL						
	Phase Frequency (Hz) Voltage (Volts)	Compressor		Fan Motor Full Load Amperes (FLA)	Minimum Circuit Ampacity Amperes	Fuse or HACR Circuit Breaker		Outdoor Coil			Refrig. Per Circuit Oz. [g]	Weight		
		Rated Load Amperes (RLA)	Locked Rotor Amperes (LRA)			Minimum Amperes	Maximum Amperes	Face Area Sq. Ft. [m ²]	No. Rows	CFM [L/s]		Net Lbs. [kg]	Shipping Lbs. [kg]	
Rev. 2/3/10														
18	1-60-208/230	9/9	48	0.8	13/13	15/15	20/20	13.72 [1.27]	1	2590 [1222]	95.6 [2710]	154 [69.9]	164 [74.4]	
24	1-60-208/230	13.5/13.5	58.3	0.8	18/18	25/25	30/30	13.72 [1.27]	1	2590 [1222]	94.2 [2671]	155 [70.3]	165 [74.8]	
30	1-60-208/230	12.8/12.8	64	1	18/18	25/25	25/25	16.39 [1.52]	1	2595 [1225]	114.5 [3246]	169 [76.7]	181 [82.1]	
36	1-60-208/230	16.7/16.7	79	1.4	23/23	30/30	35/35	21.85 [2.03]	1	3000 [1416]	138 [3912]	193 [87.5]	207 [93.9]	
42	1-60-208/230	17.9/17.9	112	1.9	25/25	30/30	40/40	21.85 [2.03]	1	3575 [1687]	146.5 [4153]	210 [95.3]	224 [101.6]	
48	1-60-208/230	19.9/19.9	109	1	26/26	35/35	45/45	21.85 [2.03]	1	3575 [1687]	229.2 [6498]	210 [95.3]	224 [101.6]	
60	1-60-208/230	21.4/21.4	135	2.8	30/30	35/35	50/50	21.85 [2.03]	2	3925 [1852]	279 [7910]	264 [119.8]	278 [126.1]	

NOTES:

- ① 20 Fins per inch.
- ② Factory charged for 15 ft. line set.

[] Designates Metric Conversions

BEFORE PURCHASING THIS APPLIANCE, READ IMPORTANT ENERGY COST AND EFFICIENCY INFORMATION AVAILABLE FROM YOUR RETAILER.

GENERAL TERMS OF LIMITED WARRANTY

Rheem will furnish a replacement for any part of this product which fails in normal use and service within the applicable periods stated, in accordance with the terms of the limited warranty.

***For Complete Details of the Limited Warranty, Including Applicable Terms and Conditions, See the Product Warranty Card.**

Conditional Parts Warranty*

(Registration Required) Ten (10) Years

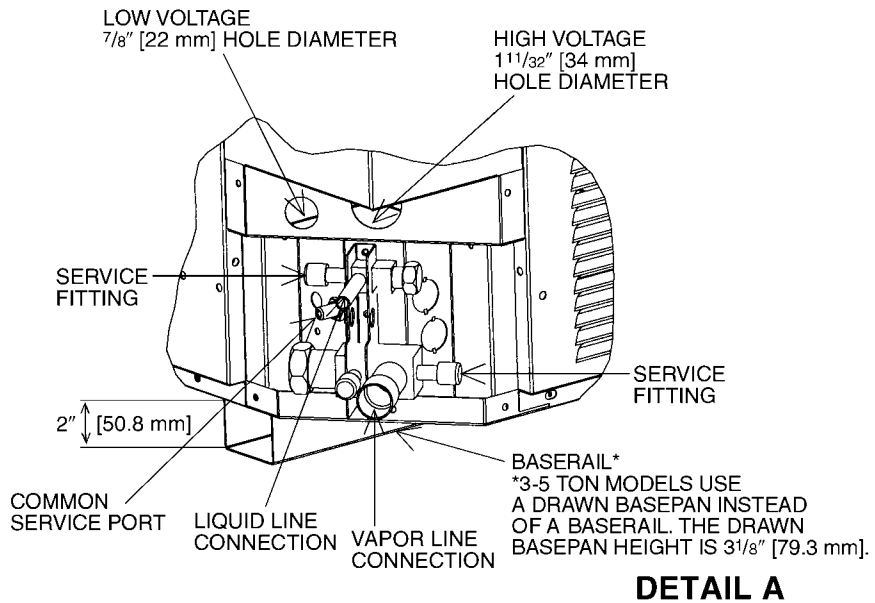
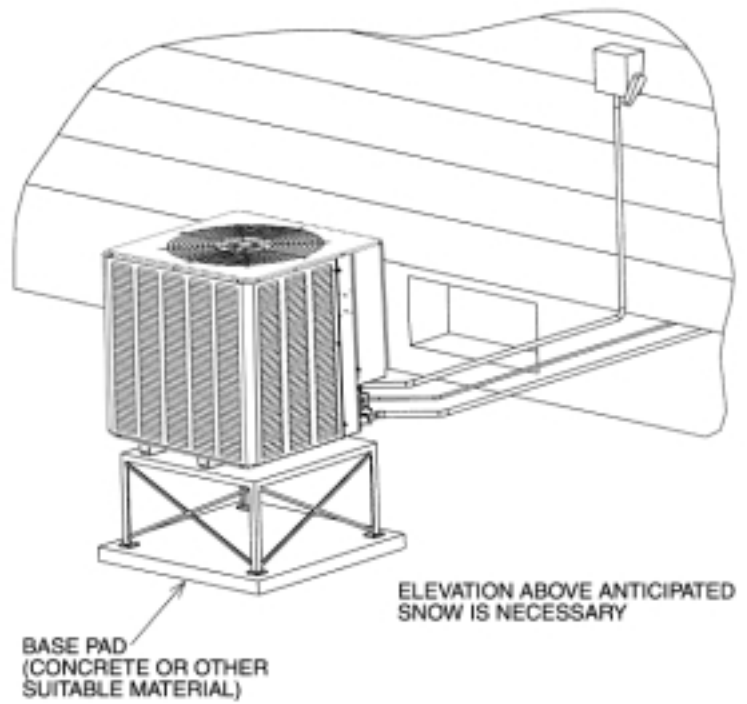
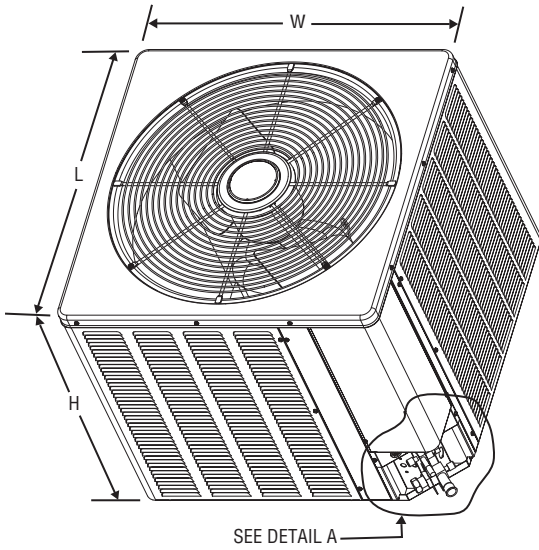
Conditional Compressor*

(Registration Required) Ten (10) Years

Limited Parts*

Five (5) Years

Unit Dimensions



DETAIL A

15 SEER Cooling Capacity	18, 24	30	36, 42, 48, 60
Height "H" (In.) [mm]	26 ¹ / ₄ [666.7]	27 ³ / ₈ [695.3]	35 ³ / ₈ [898.5]
Length "L" (In.) [mm]	27 ⁵ / ₈ [701.6]	31 ⁵ / ₈ [803.2]	31 ⁵ / ₈ [803.2]
Width "W" (In.) [mm]	27 ⁵ / ₈ [701.6]	31 ⁵ / ₈ [803.2]	31 ⁵ / ₈ [803.2]

[] Designates Metric Conversions

Heat Pump Refrigerant Line Size Information

System Capacity	Line Size Connection Size (Inch I.D.) [mm]	Line Size (Inch O.D.) [mm]	Liquid Line Sizing (R410A) Outdoor Unit Above or Below Indoor Coil (Heat Pumps Only)					
			Total Equivalent Length—Feet [m]					
			25 [7.62]	50 [15.24]	75 [22.86]	100 [30.48]	125 [38.10]	150 [45.72]
			Maximum Vertical Separation—Feet [m]					
1 1/2 Ton	3/8" [9.53]	1/4 [6.35]	25 [7.62]	40 [12.19]	25 [7.62]	9 [2.74]	N/A	N/A
		5/16 [7.94]	25 [7.62]	50 [15.24]	62 [18.90]	58 [17.68]	53 [16.15]	49 [14.94]
		3/8* [9.53]	25 [7.62]	50 [15.24]	75 [22.86]	72 [21.95]	70 [21.34]	68 [20.73]
2 Ton	3/8" [9.53]	1/4 [6.35]	23 [7.01]	N/A	N/A	N/A	N/A	N/A
		5/16 [7.94]	25 [7.62]	36 [10.97]	29 [8.84]	23 [7.01]	16 [4.88]	9 [2.74]
		3/8* [9.53]	25 [7.62]	50 [15.24]	72 [21.95]	70 [21.34]	68 [20.73]	65 [19.81]
2 1/2 Ton	3/8" [9.53]	1/4 [6.35]	25 [7.62]	N/A	N/A	N/A	N/A	N/A
		5/16 [7.94]	25 [7.62]	49 [14.94]	38 [11.58]	27 [8.23]	17 [5.18]	6 [1.83]
		3/8* [9.53]	25 [7.62]	50 [15.24]	68 [20.73]	65 [19.81]	62 [18.90]	58 [17.68]
3 Ton	3/8" [9.53]	5/16 [7.94]	25 [7.62]	50 [15.24]	37 [11.28]	22 [6.71]	7 [2.13]	N/A
		3/8* [9.53]	25 [7.62]	50 [15.24]	68 [20.73]	63 [19.20]	58 [17.68]	53 [16.15]
3 1/2 Ton	3/8" [9.53]	5/16 [7.94]	25 [7.62]	23 [7.01]	4 [1.22]	N/A	N/A	N/A
		3/8* [9.53]	25 [7.62]	50 [15.24]	43 [13.11]	36 [10.97]	30 [9.14]	24 [7.32]
4 Ton	3/8" [9.53]	3/8* [9.53]	25 [7.62]	46 [14.02]	38 [11.58]	30 [9.14]	22 [6.71]	15 [4.57]
		1/2 [12.7]	25 [7.62]	50 [15.24]	56 [17.07]	55 [16.76]	53 [16.15]	52 [15.85]
5 Ton	3/8" [9.53]	3/8* [9.53]	25 [7.62]	50 [15.24]	56 [17.07]	44 [13.41]	32 [9.75]	20 [6.10]
		1/2 [12.7]	25 [7.62]	50 [15.24]	75 [22.86]	81 [24.69]	79 [24.08]	76 [23.16]

NOTES:

*Standard line size

N/A = Application not recommended.

Suction Line Length/Size versus Capacity Multiplier (R-410A)								
Unit Size		1 1/2 Ton	2 Ton	2 1/2 Ton	3 Ton	3 1/2 Ton	4 Ton	5 Ton
Suction Line Connection Size		3/4" [19.05] I.D.			7/8" [22.23] I.D.			
Suction Line Run—Feet [m]		5/8" [15.88 mm] O.D. Opt. 3/4" [19.05 mm] O.D. Std.*		5/8" [15.88 mm] O.D. Opt. 3/4" [19.05 mm] O.D. Std.* 7/8" [22.23 mm] O.D. Opt.	3/4" [19.05 mm] O.D. Opt. 7/8" [22.23 mm] O.D. Std.*		7/8" [22.23 mm] O.D. Opt. 1 1/8" [28.58 mm] O.D. Std.*	
25' [7.62]	Optional Standard Optional	1.00 1.00 —	1.00 1.00 —	1.00 1.00 1.00	1.00 1.00 —	1.00 1.00 —	1.00 1.00 —	1.00 1.00 —
50' [15.24]	Optional Standard Optional	0.98 0.99 —	0.98 0.99 —	0.96 0.98 0.99	0.98 0.99 —	0.99 0.99 —	0.99 0.99 —	0.99 0.99 —
100' [30.48]	Optional Standard Optional	0.95 0.96 —	0.95 0.96 —	0.94 0.96 0.97	0.96 0.97 —	0.96 0.98 —	0.96 0.98 —	0.97 0.98 —
150' [45.72]	Optional Standard Optional	0.92 0.93 —	0.92 0.94 —	0.91 0.93 0.95	0.94 0.95 —	0.94 0.96 —	0.95 0.96 —	0.94 0.97 —

NOTES:

*Standard line size

N/A = Using suction line larger than shown in chart will result in poor oil return and is not recommended.

[] Designates Metric Conversions

NOTES

NOTES

Before proceeding with installation, refer to installation instructions packaged with each model, as well as complying with all Federal, State, Provincial, and Local codes, regulations, and practices.

**Rheem Heating,
Cooling and
Water Heating**

P.O. Box 17010, Fort Smith, AR 72917



"In keeping with its policy of continuous progress and product improvement, Rheem reserves the right to make changes without notice."